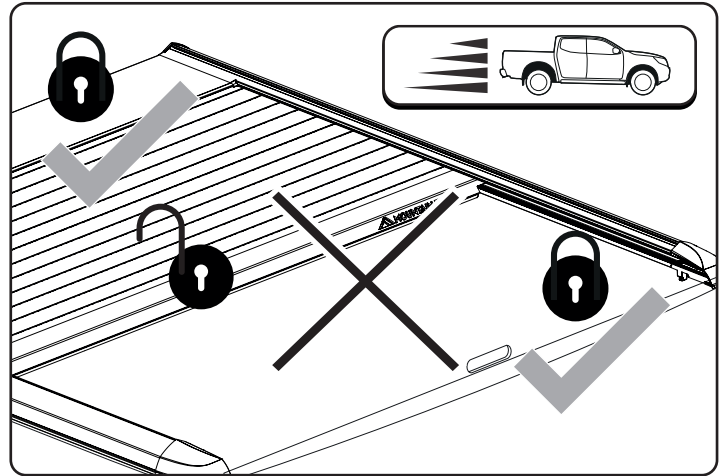
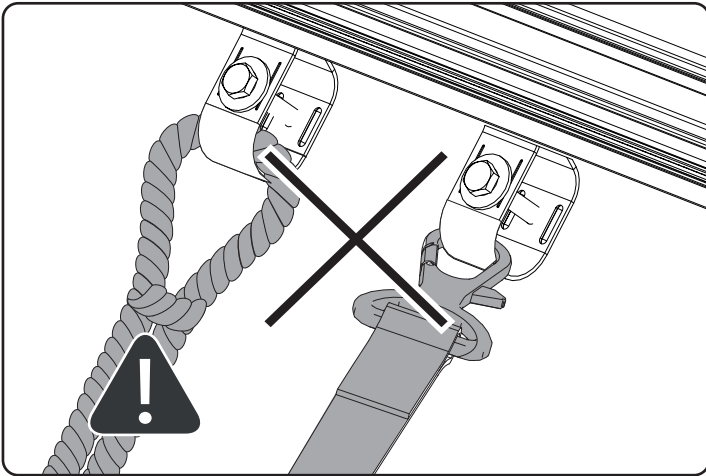
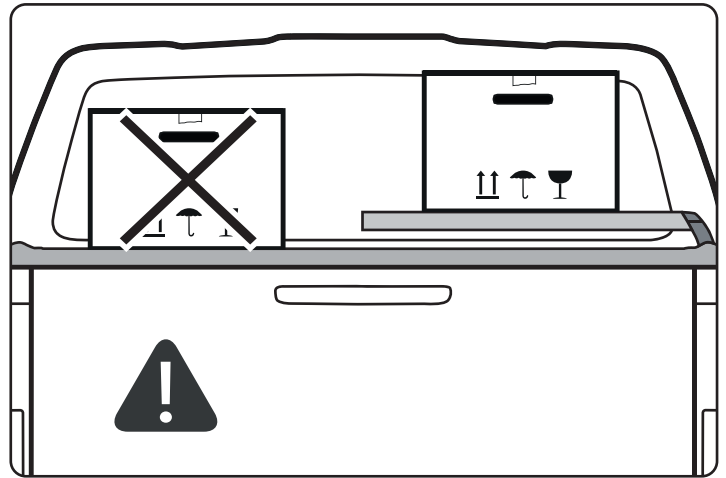
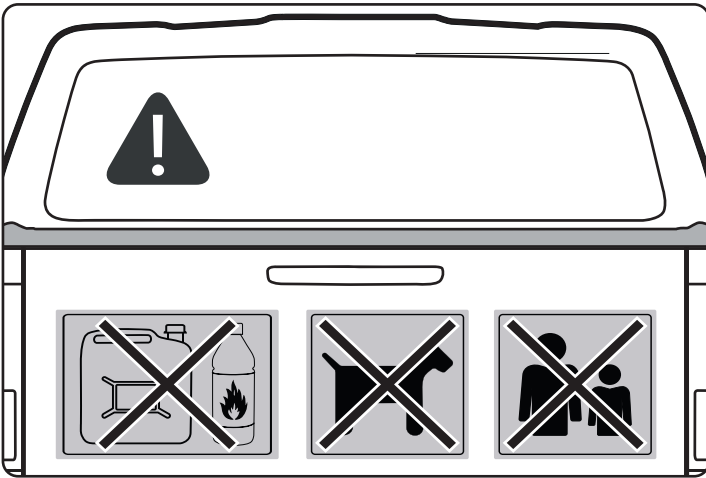
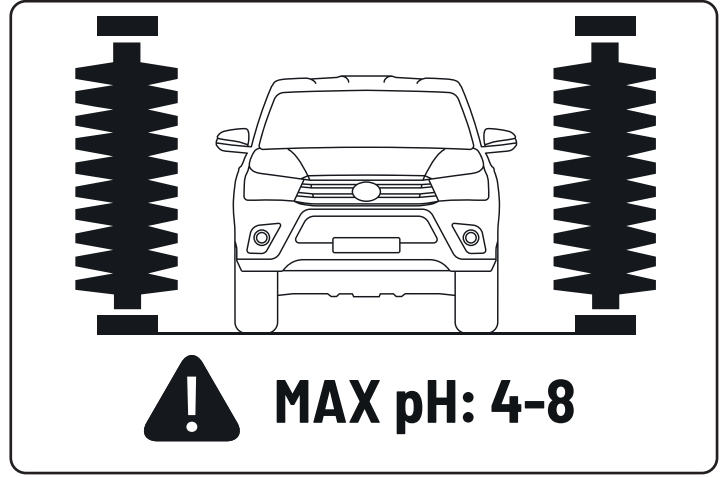
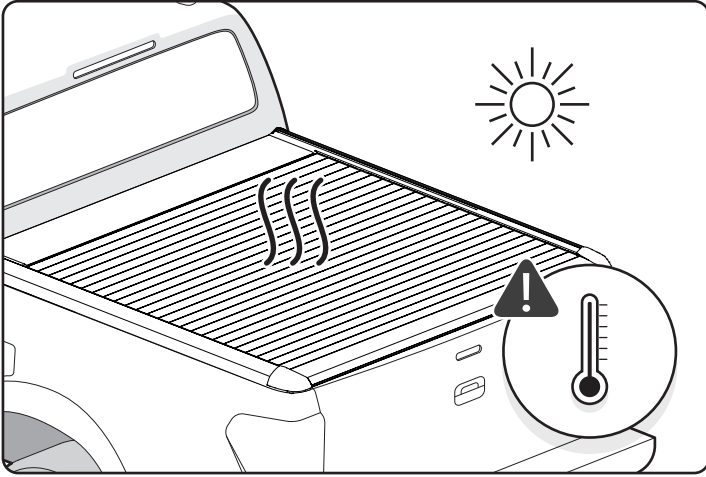


OWNERS MANUAL

MOUNTAIN TOP[®] EVO ROLL COVER

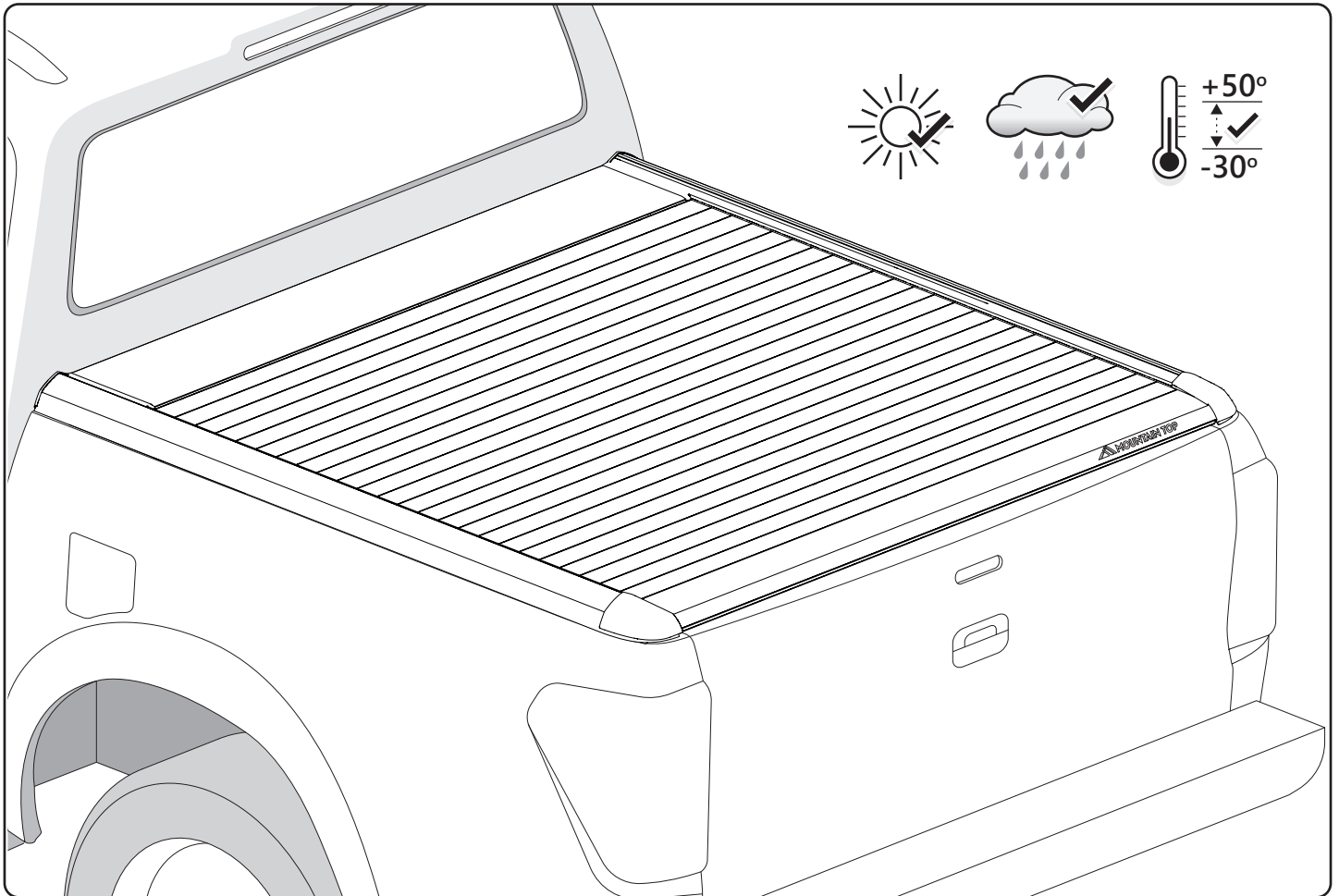
1 WARNINGS



- Temperatures can be very high under the cover when closed.
- We do not recommend washing the EVO roll cover in a brushless carwash, as the coating may be damaged due to use of chemicals.

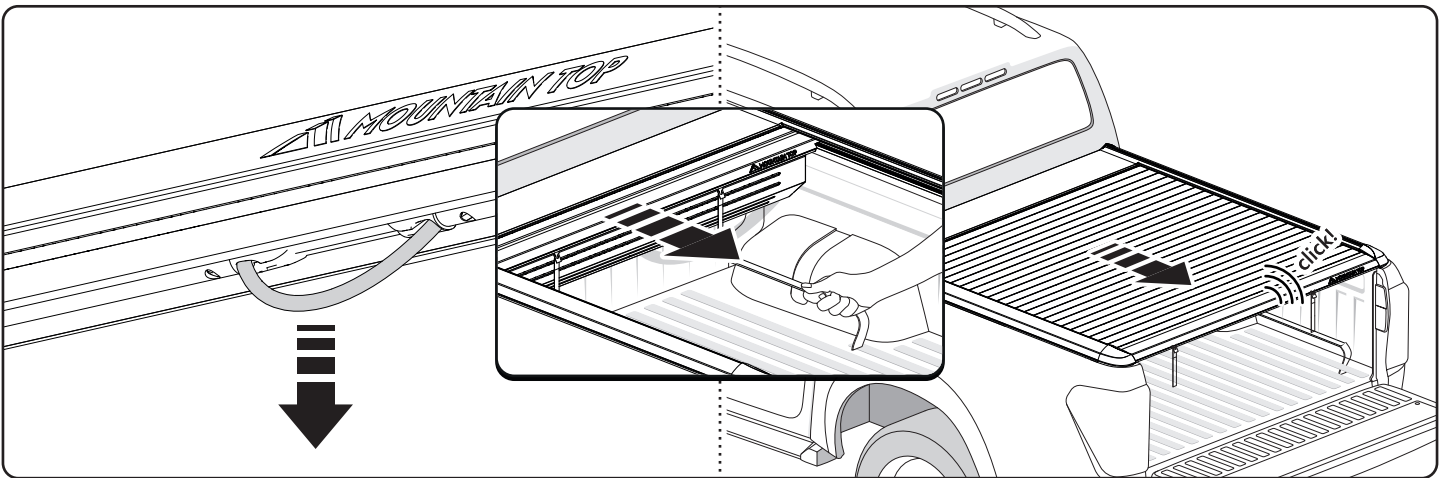
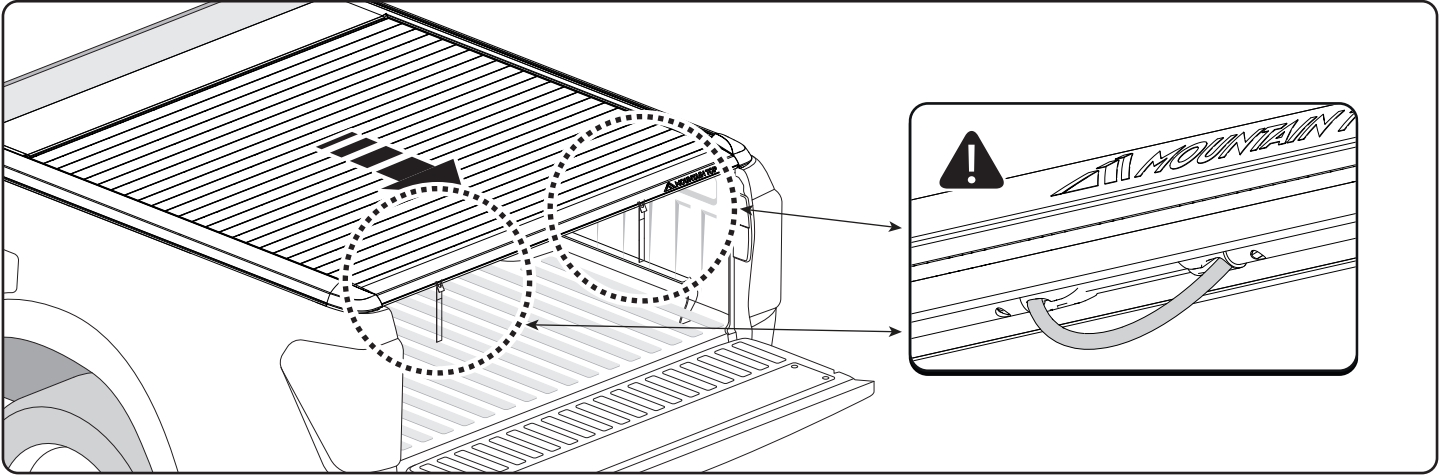
2

CONDITIONS OF USE

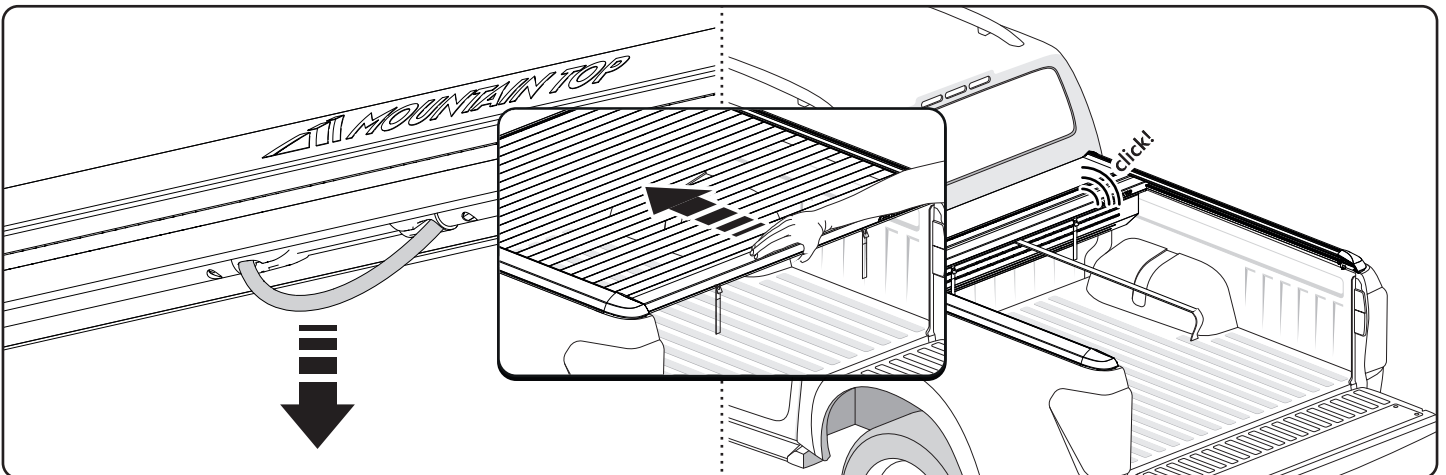


- The Mountain Top EVO roll cover design is lightweight and not suitable for extreme usage.
- Designed to withstand rain water, some water ingress may occur.
- Dust can enter the compartment through various gaps.
- Due to profiles which relatively quick heats up and cools down according to weath conditions can cause condensation on the inside.
- The EVO roll cover is not designed for loading although it can support normal snow loads.
- Goods in the bed must be secured during transportation to prevent damage.

3 OPERATION EV0m

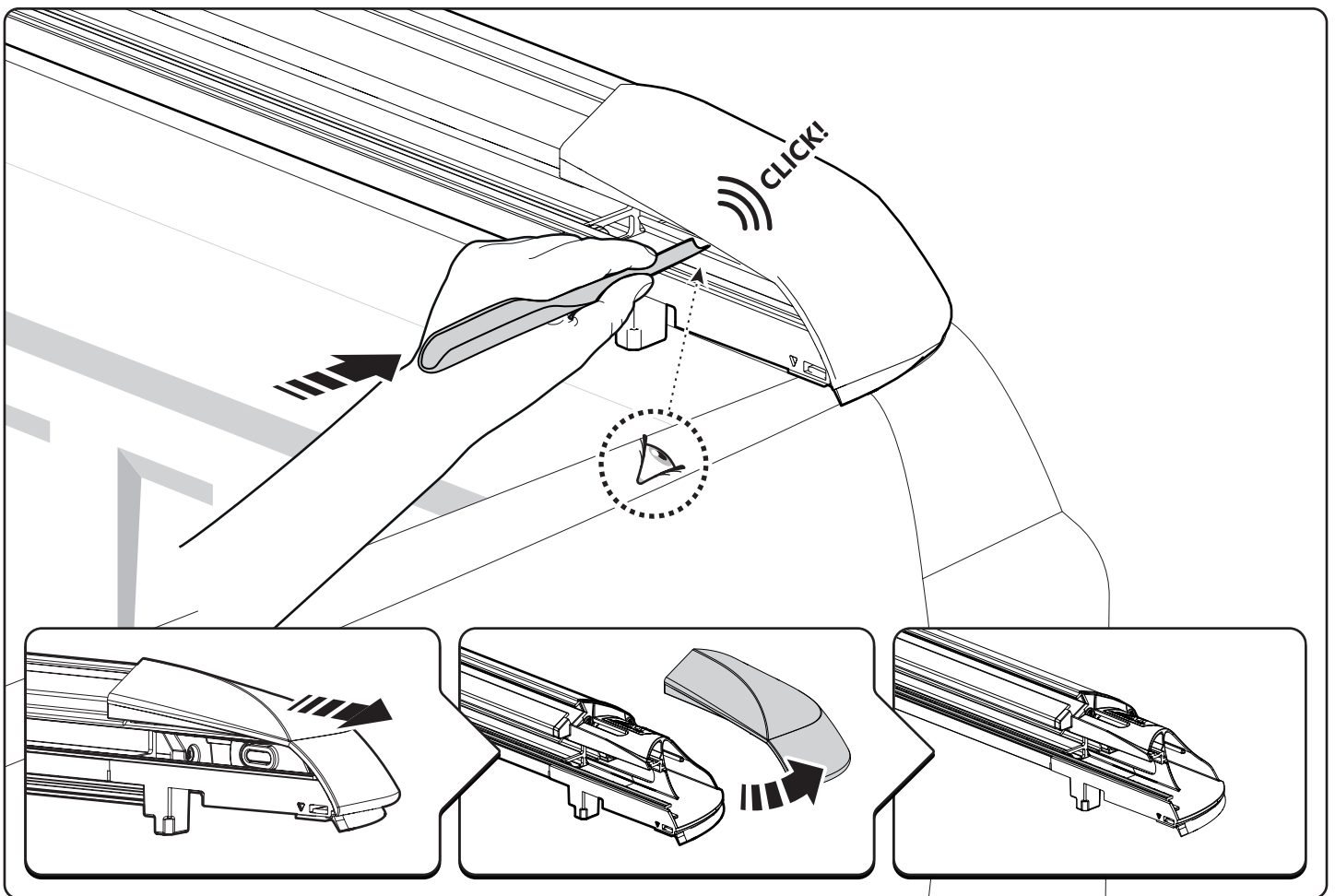
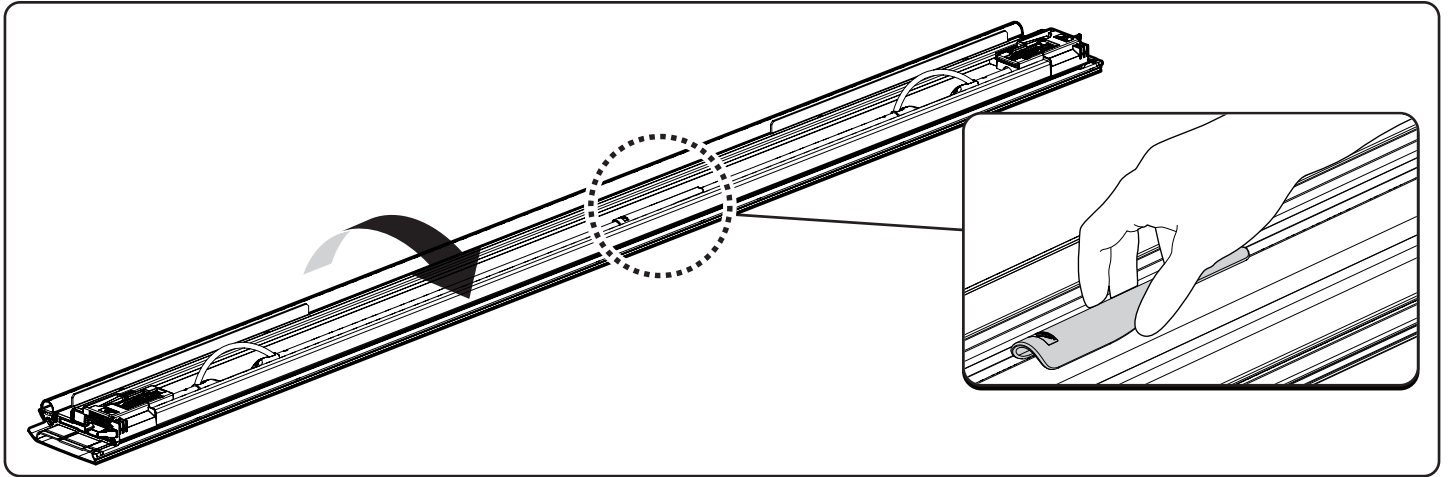


- Close

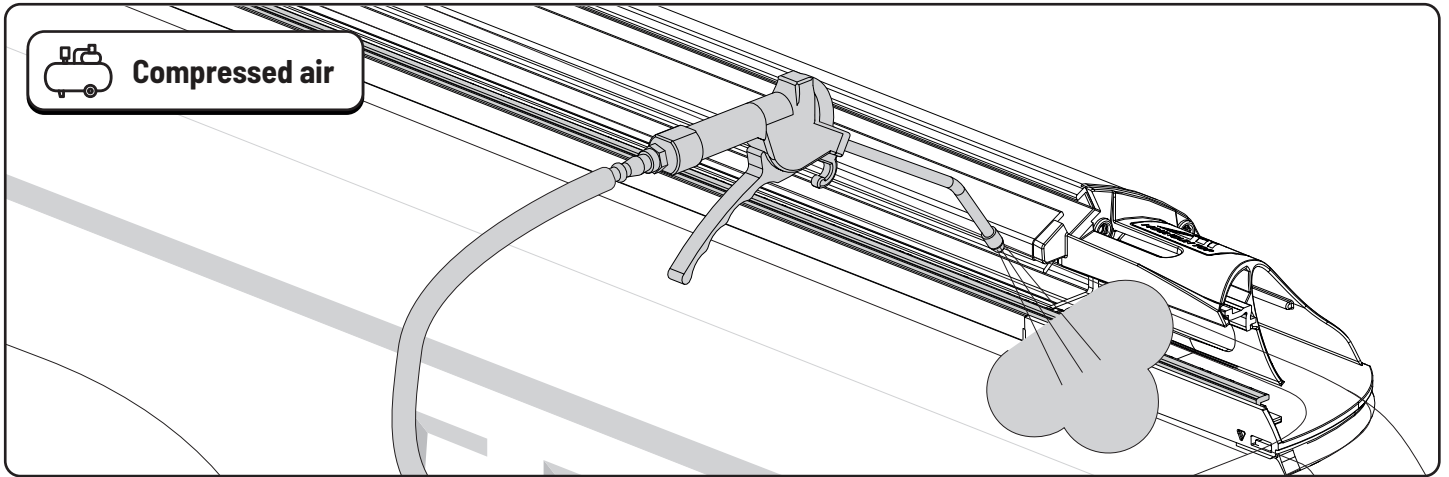


- Open
- When the EV0m roll cover is fully opened, a lock activator is automatically triggered, engaging the locking system.
- For the EV0m roll cover to close correctly, the locking system must be engaged before the cover is closed.

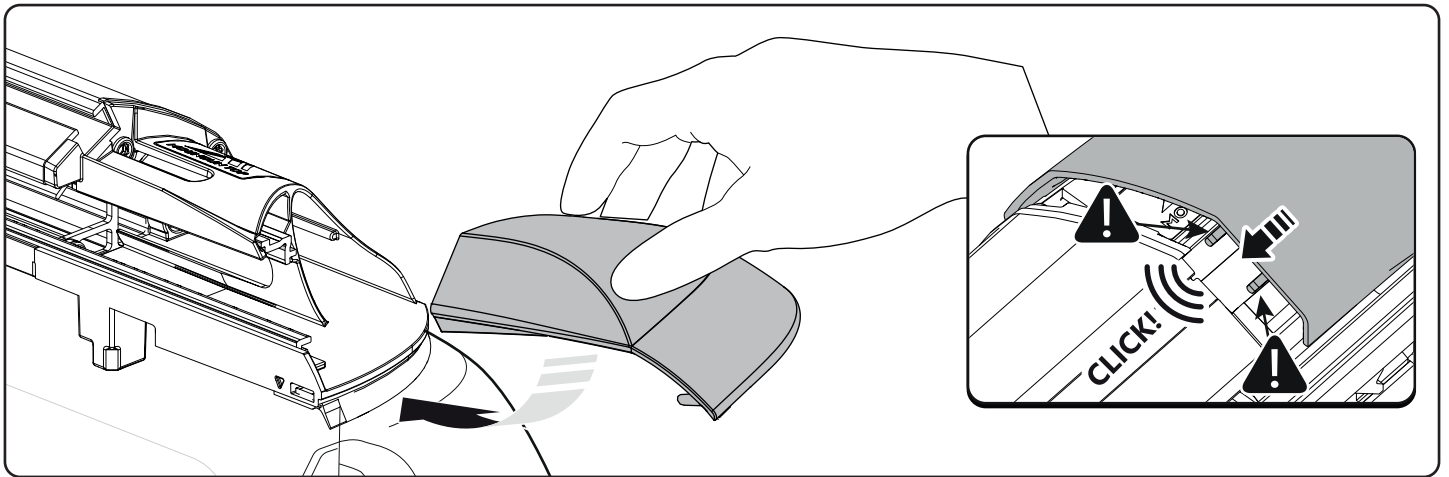
4 MAINTENANCE



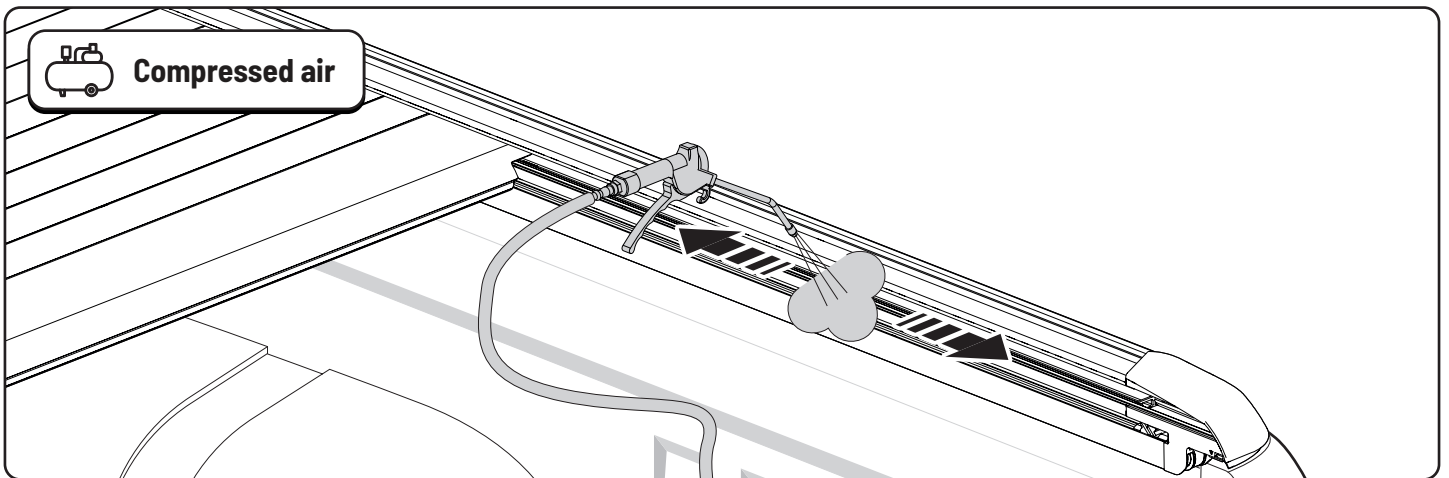
- Use the multi tool to remove the plastic covers on the side profiles.



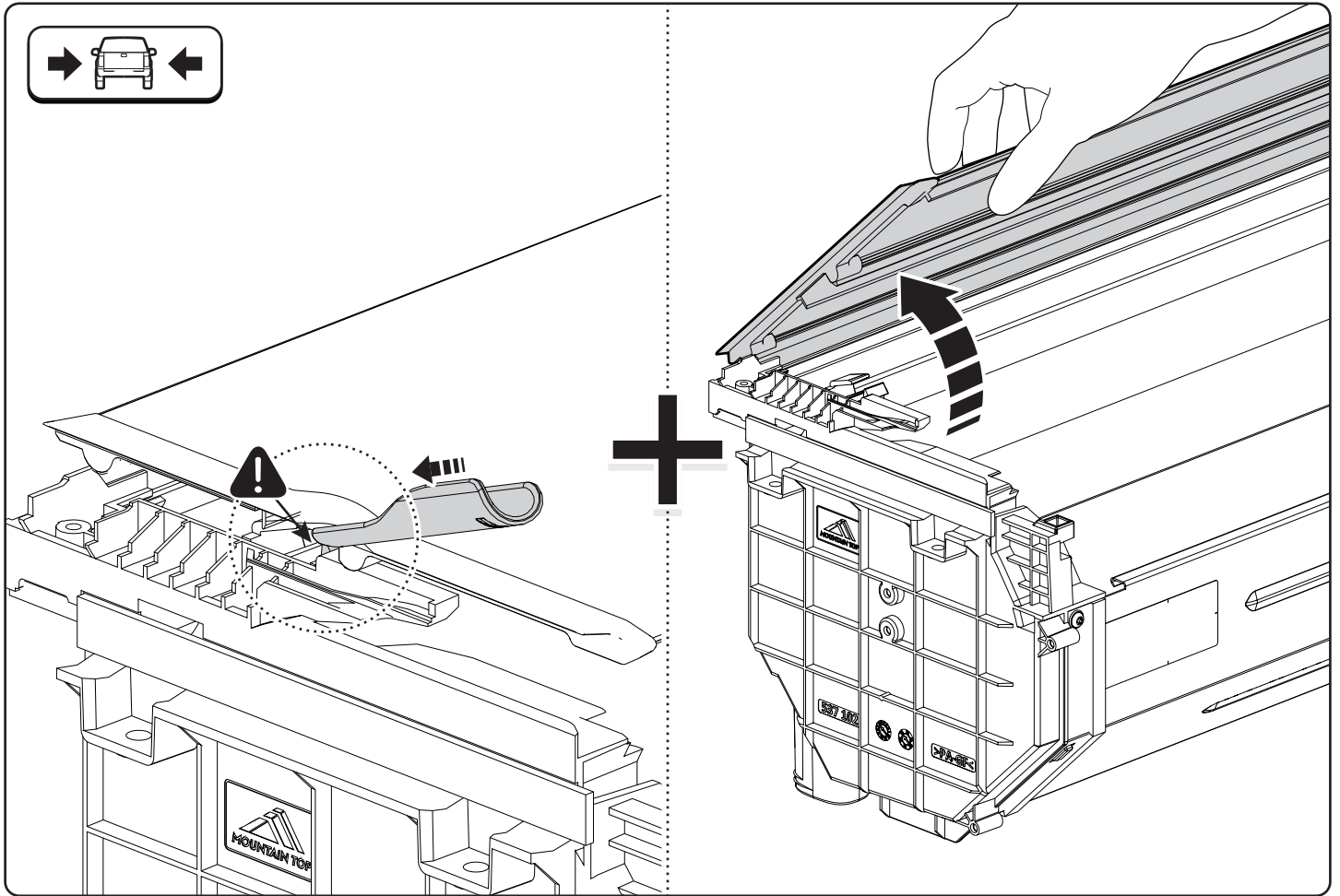
- Remove dirt and debris using compressed air.



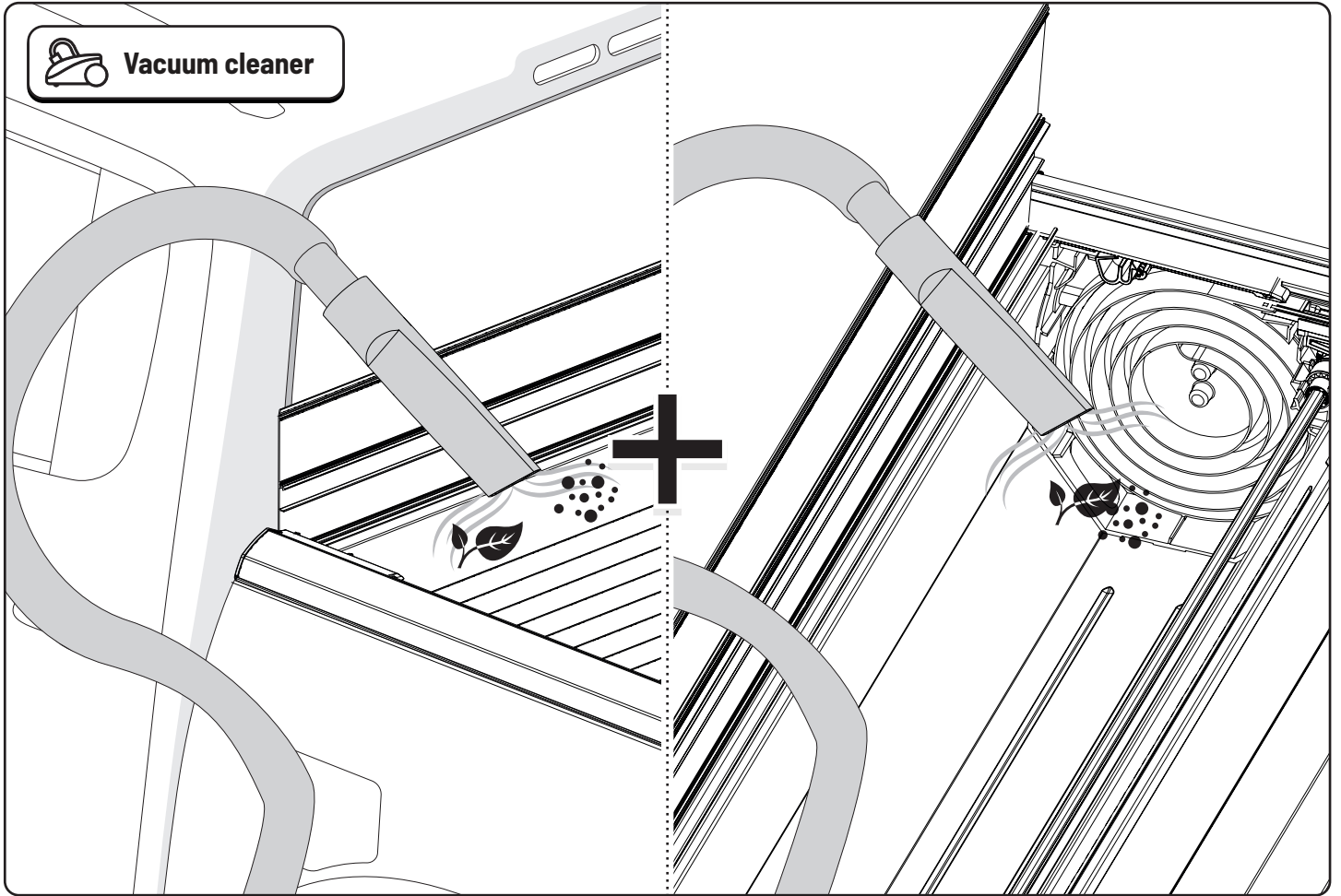
- Mount plastic covers.



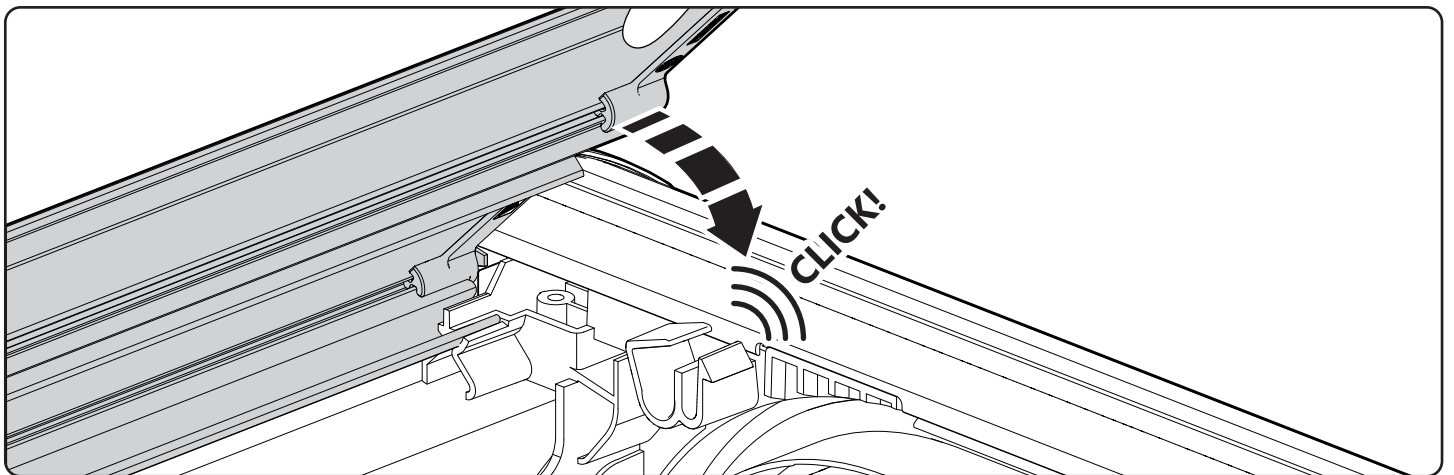
- Clean the side profiles.



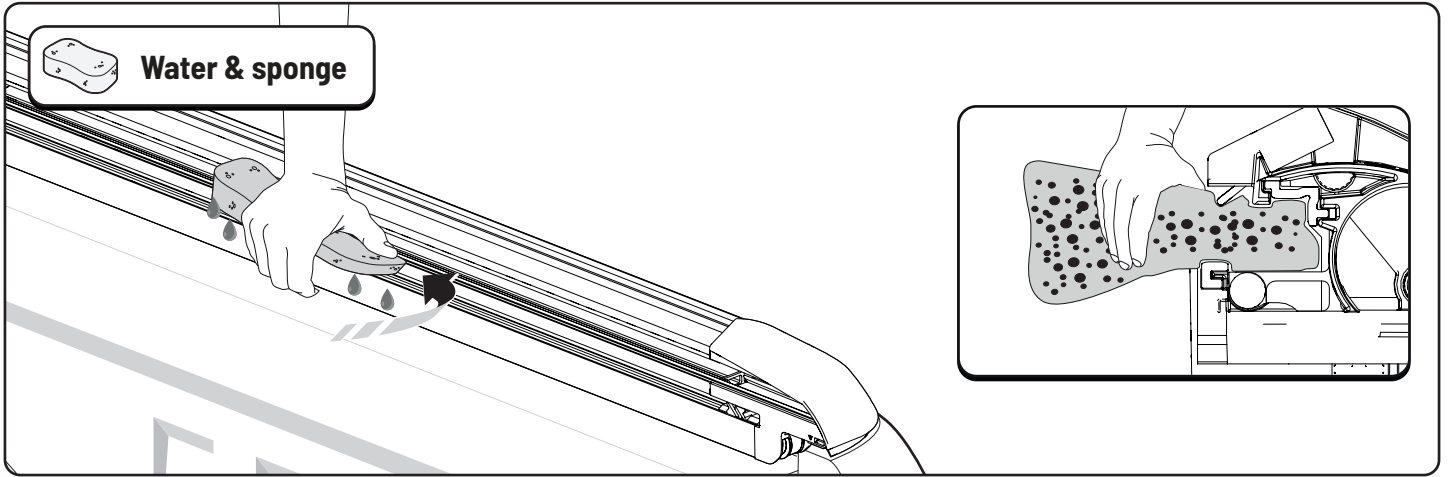
- Open the canister.



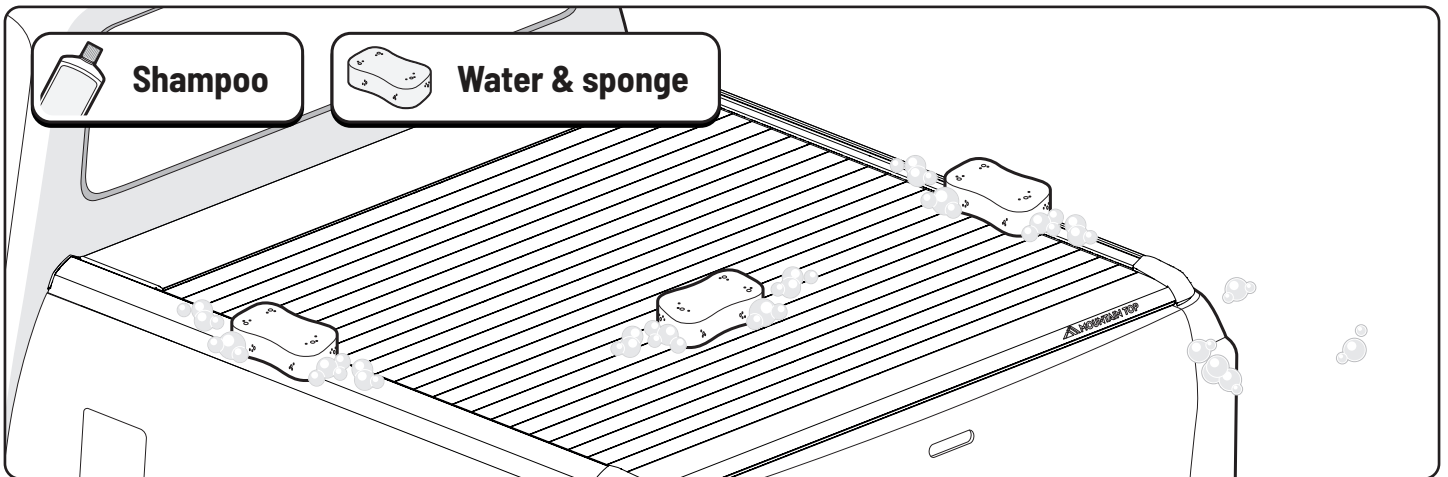
- Clean the canister.



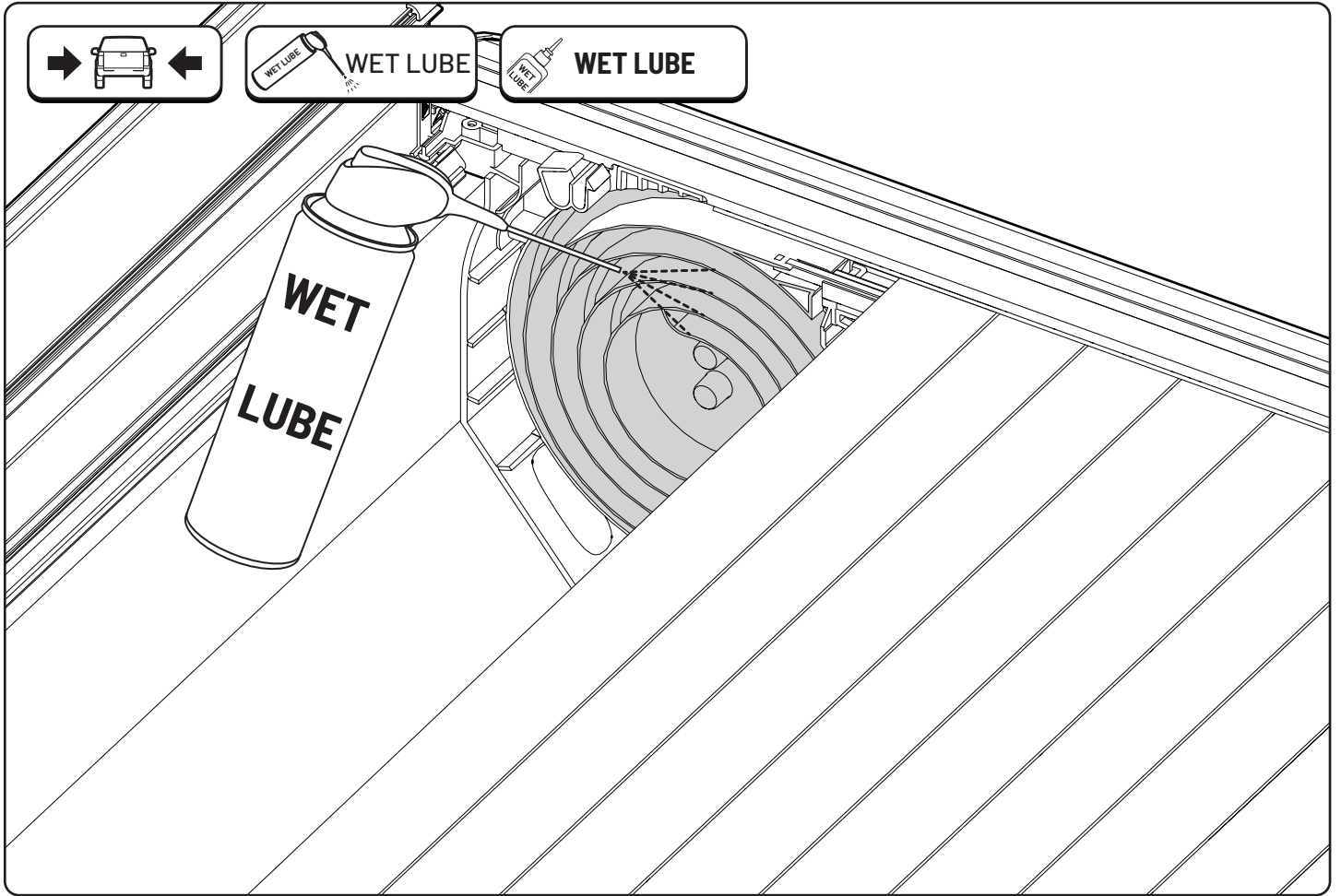
- Close the canister.



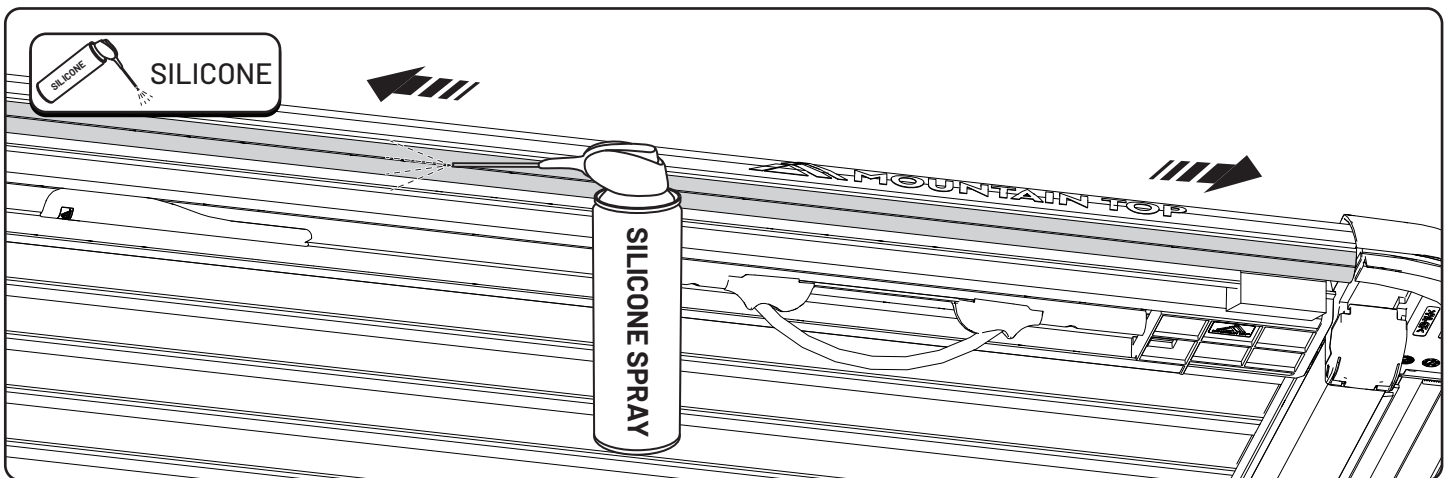
- Clean the drainage channels on the side profiles.



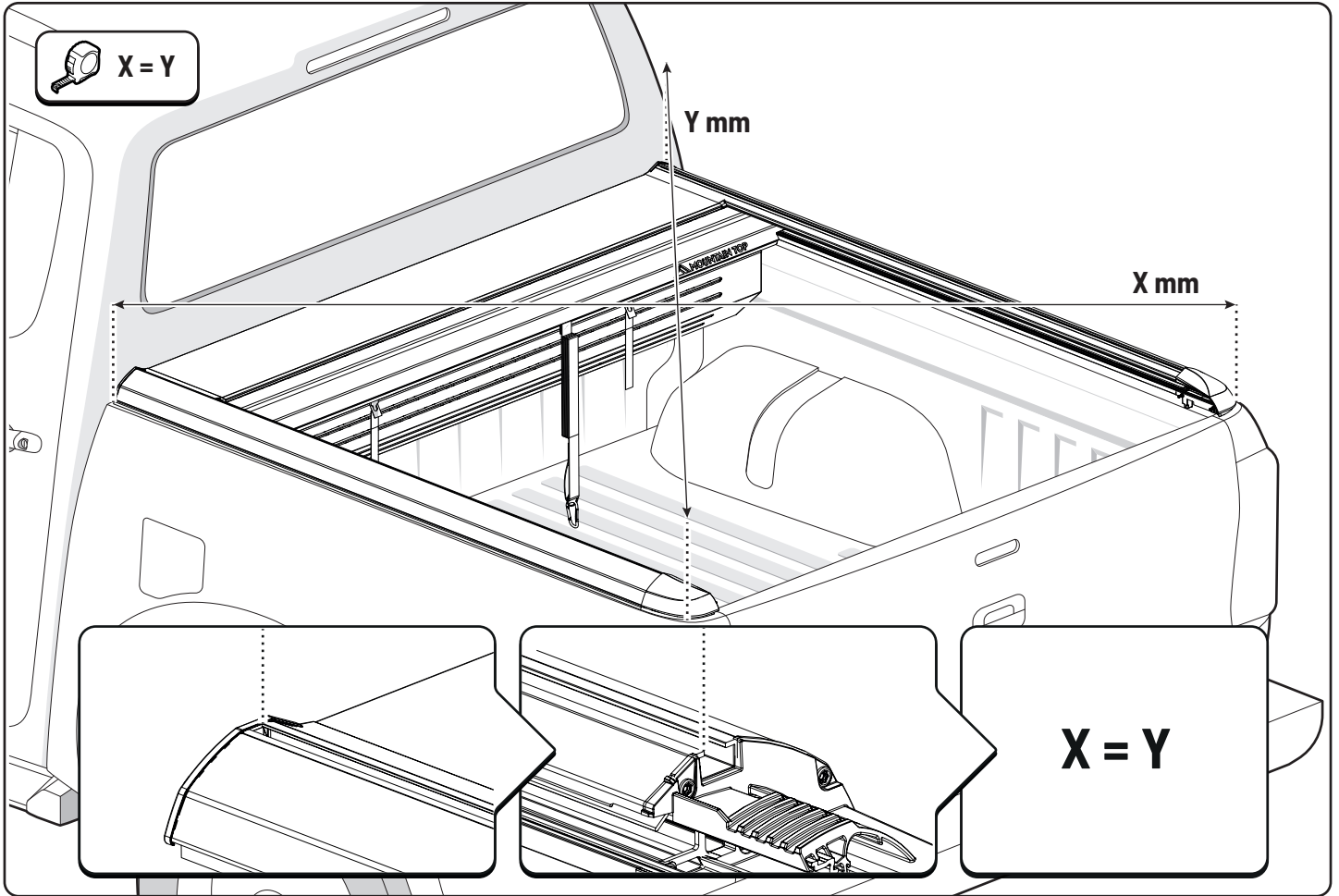
- The EVO roll cover should be cleaned regularly.



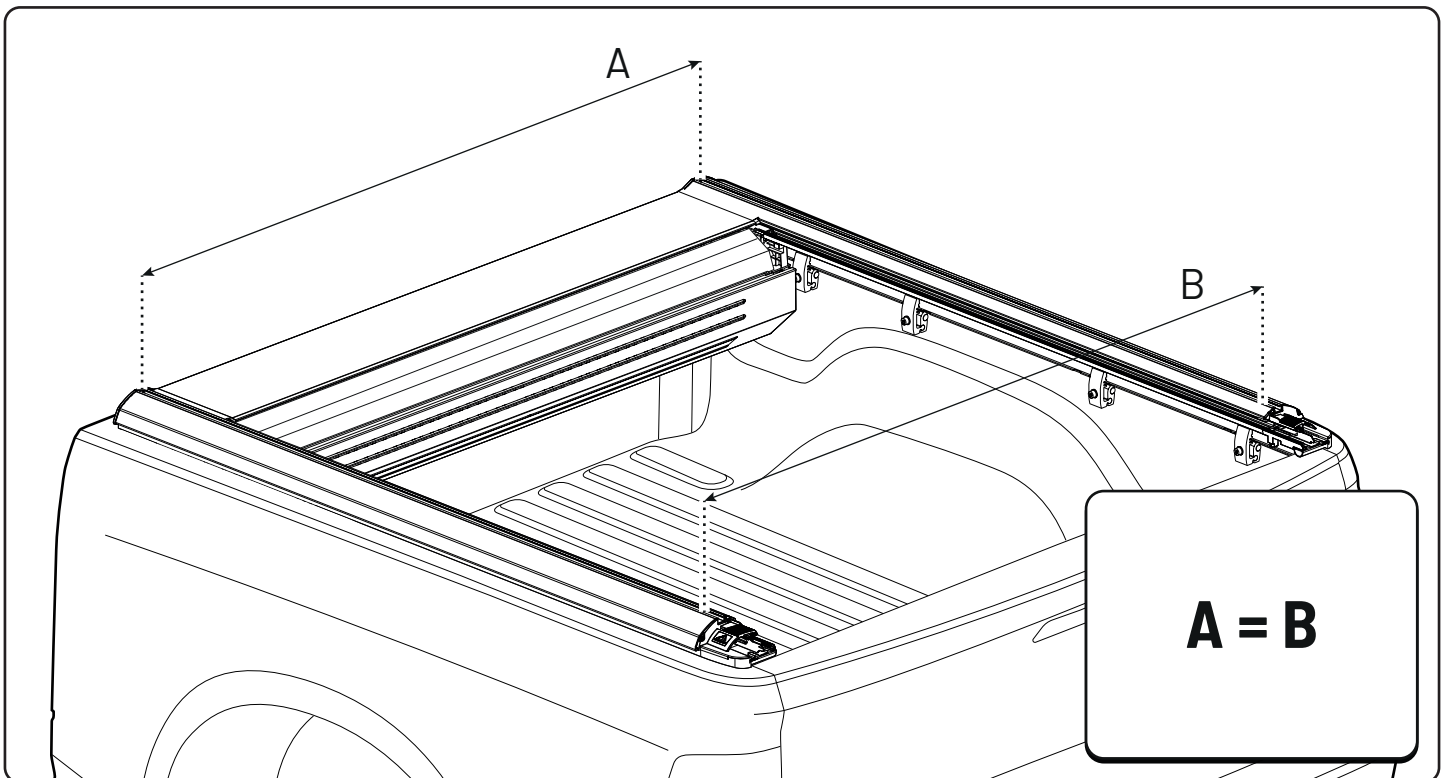
- Regularly, and following cleaning, apply a PTFE-free all-conditions wet lube product to the inside of the canister ends.



5 CHECK MEASUREMENTS MAINTENANCE

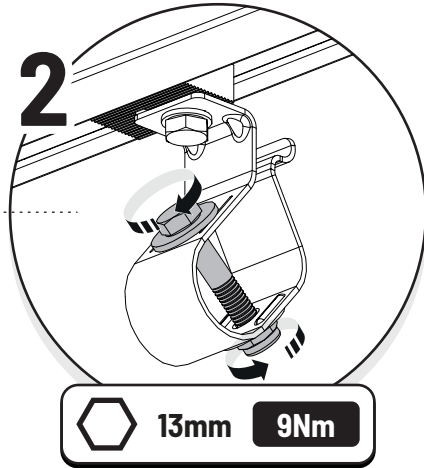
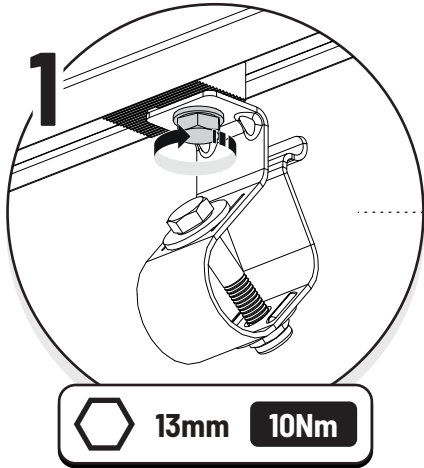


- Ensure the cross measurements are identical.



6 CLAMPS

Clamps

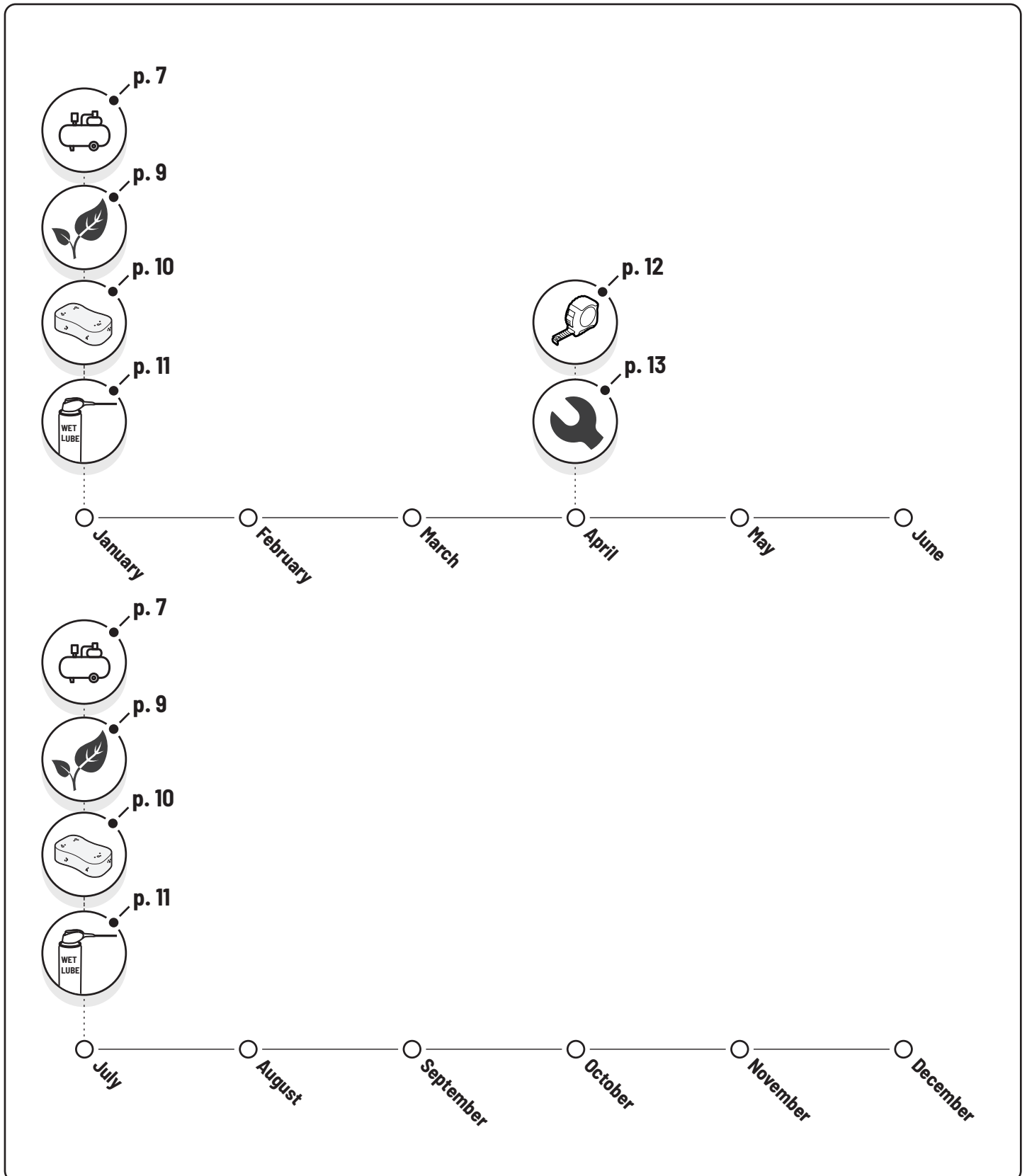


+1000 km



▶ +15000 km

- Re-tighten the clamps after the first 1000 km. And then every 15.000 km



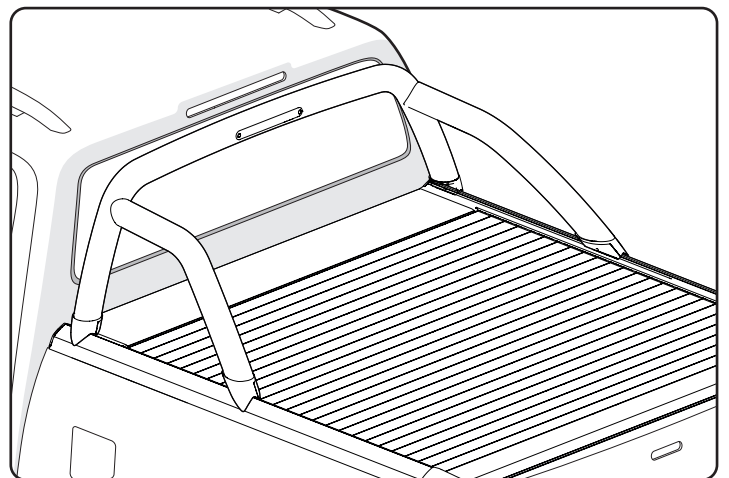
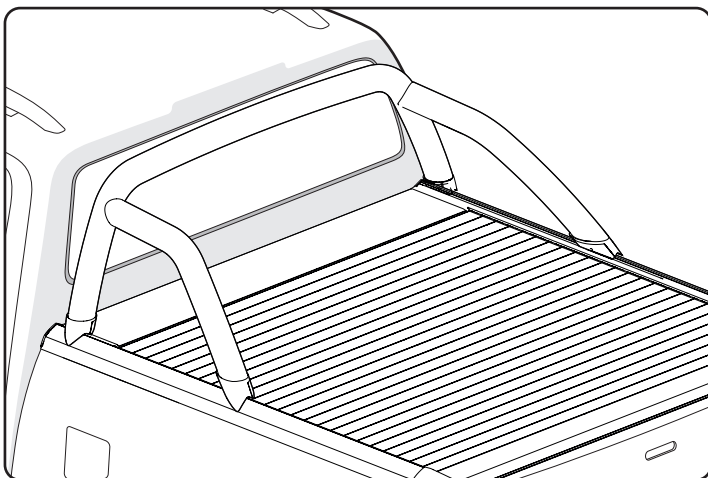
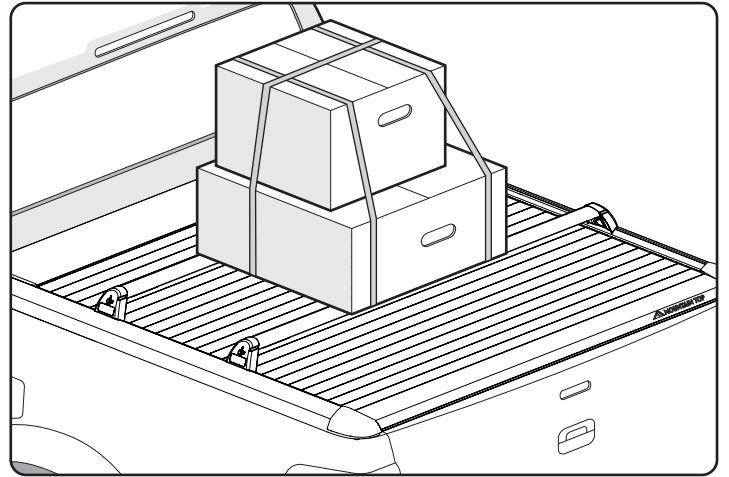
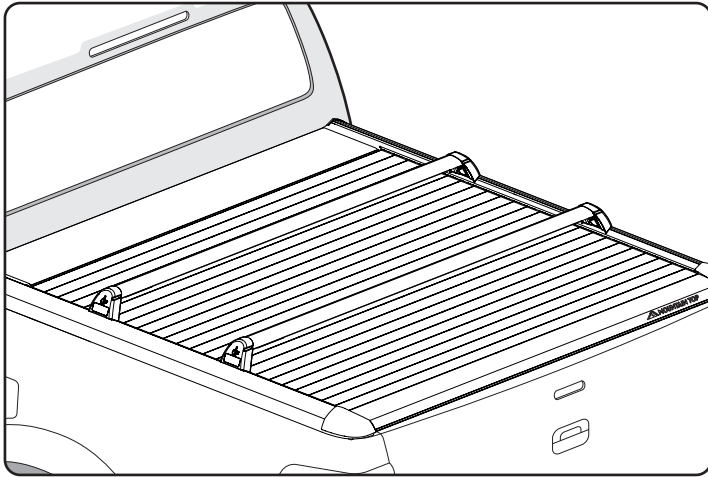
- Maintenance requirements and frequency depend on the actual usage of the roll cover and the environments and elements that it is exposed to.
- Clean and lubricate the cover accordingly to ensure the best possible operation and function.

Maintenance EVOm manager



Type of Maintenance	Date	Done by

ACCESSORIES



- Mountain Top Cargo Carrier combined load capacity of 75 Kg.
- Mountain Top Sports Bar available in 2 versions; with and without brakelight.
- See more accessories www.mountaintop.dk.



Customer Service	+45 4810 2950 (08:00 - 16:00 CET)
Support	info@mountaintop.dk
Website	www.mountaintop.dk
Address	Pedersholmparken 10, 3600 Frederikssund, Denmark



Scan for more
information